



KGM REXTON 2,0 AT FULLWD

2025-

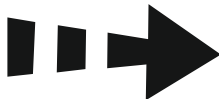
S09AP038KRX
A09AP038KRX

14/05/25

1/7



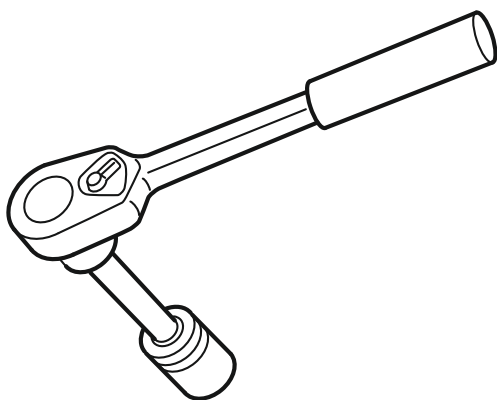
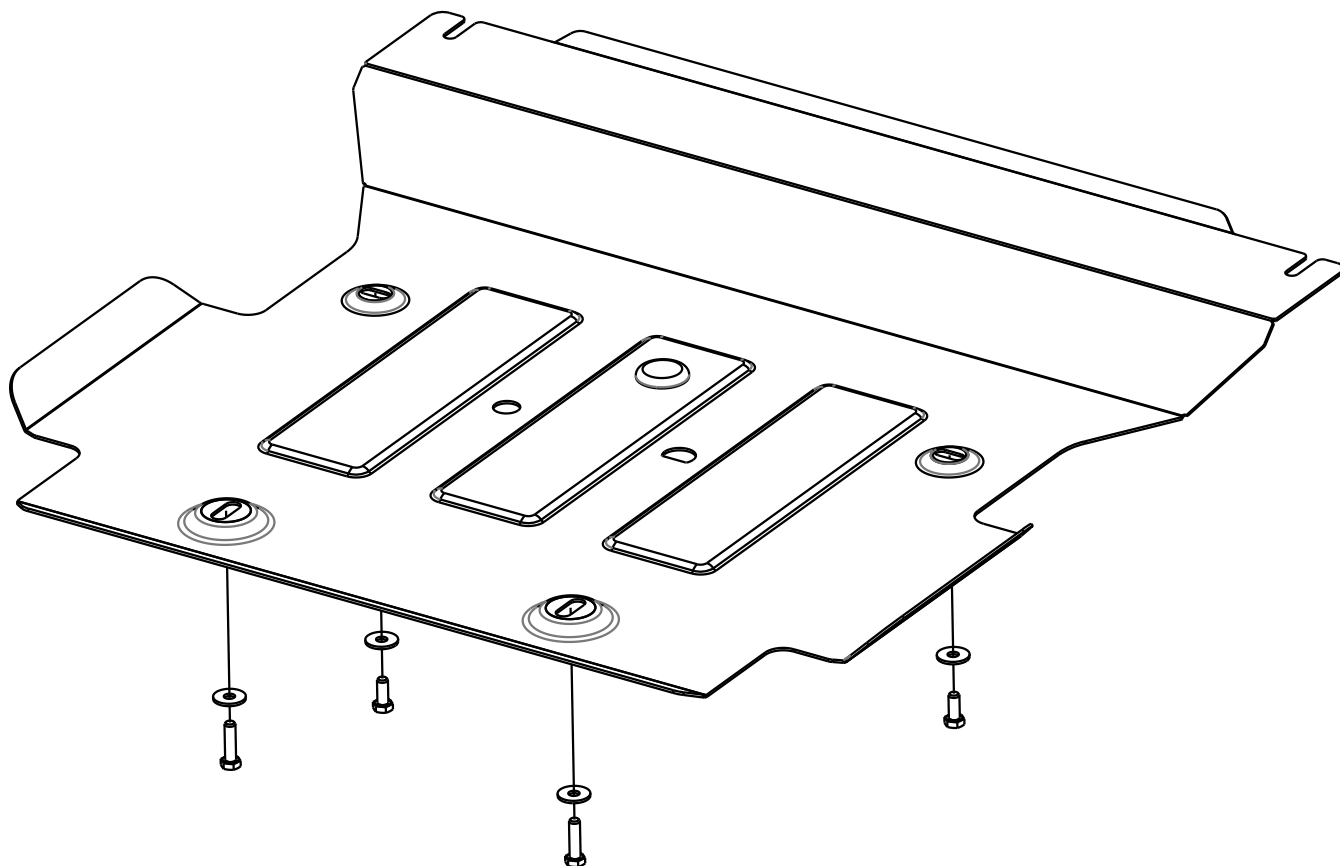
(GB) Location/Position Arrow



(GB) Movement Arrow



(GB) Screw Arrow



(GB) Installation time

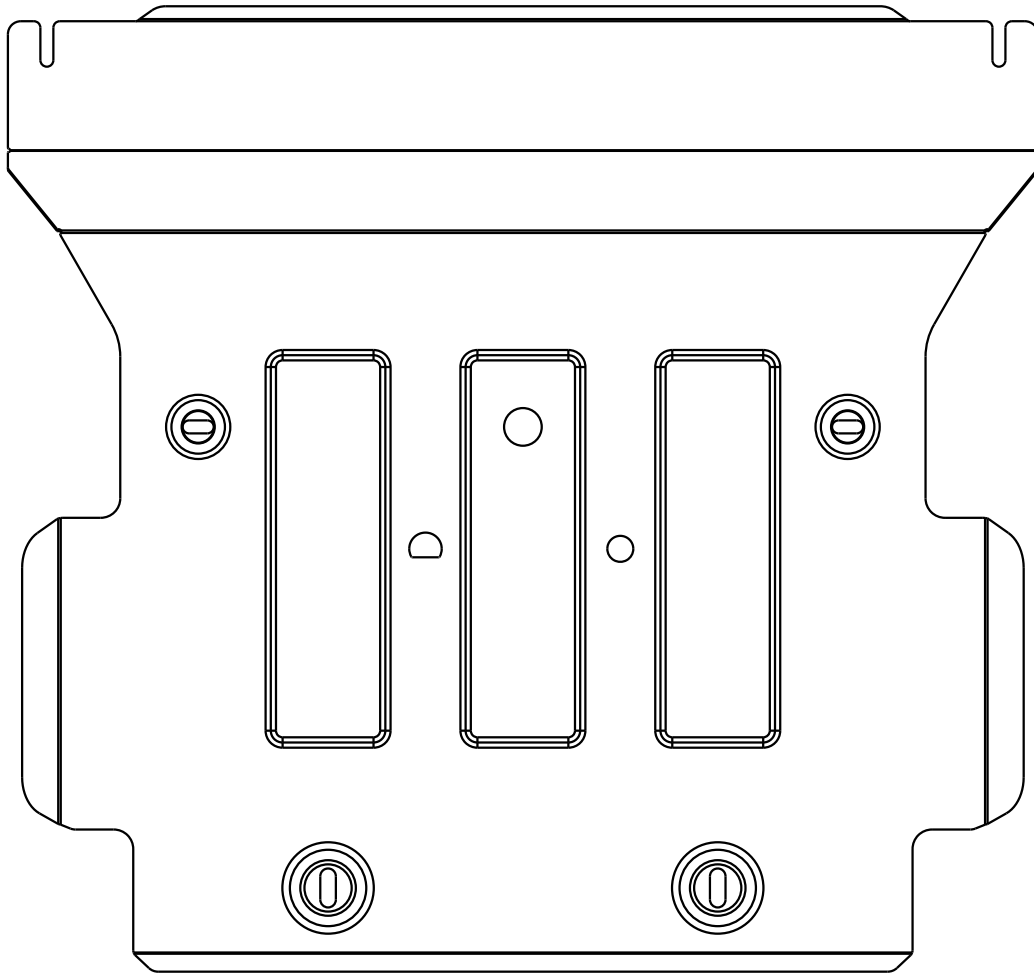
15-30 min

**S09AP038KRX
A09AP038KRX**

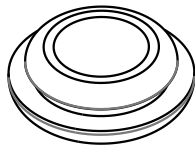


14/05/25

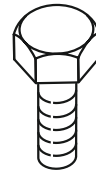
2/7

A

1X

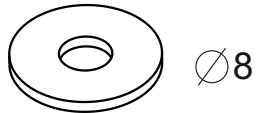
B

1X

C

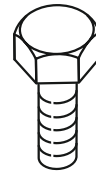
M8x20

2X

D

∅8

4X

E

M8x30

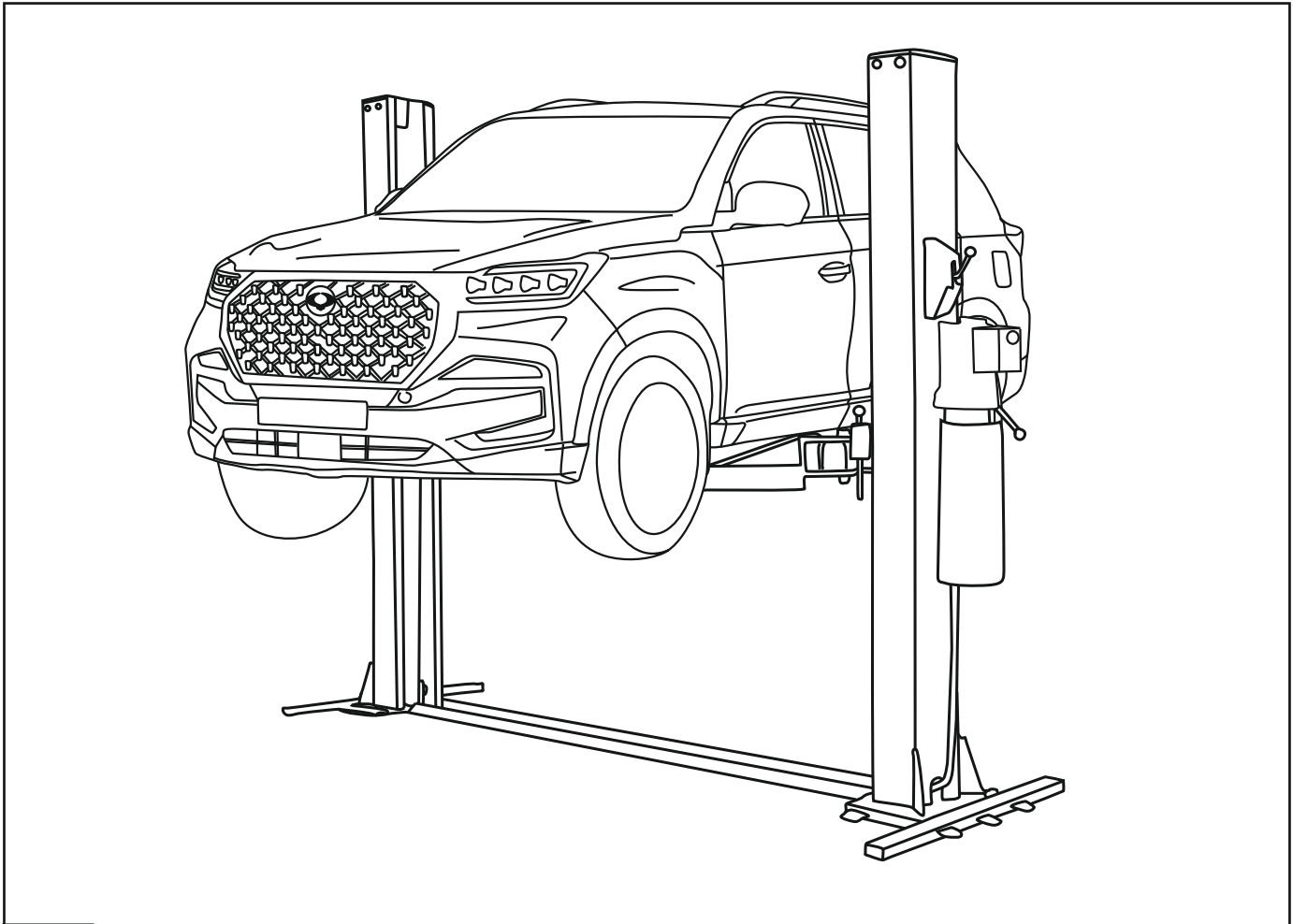
2X

S09AP038KRX
A09AP038KRX

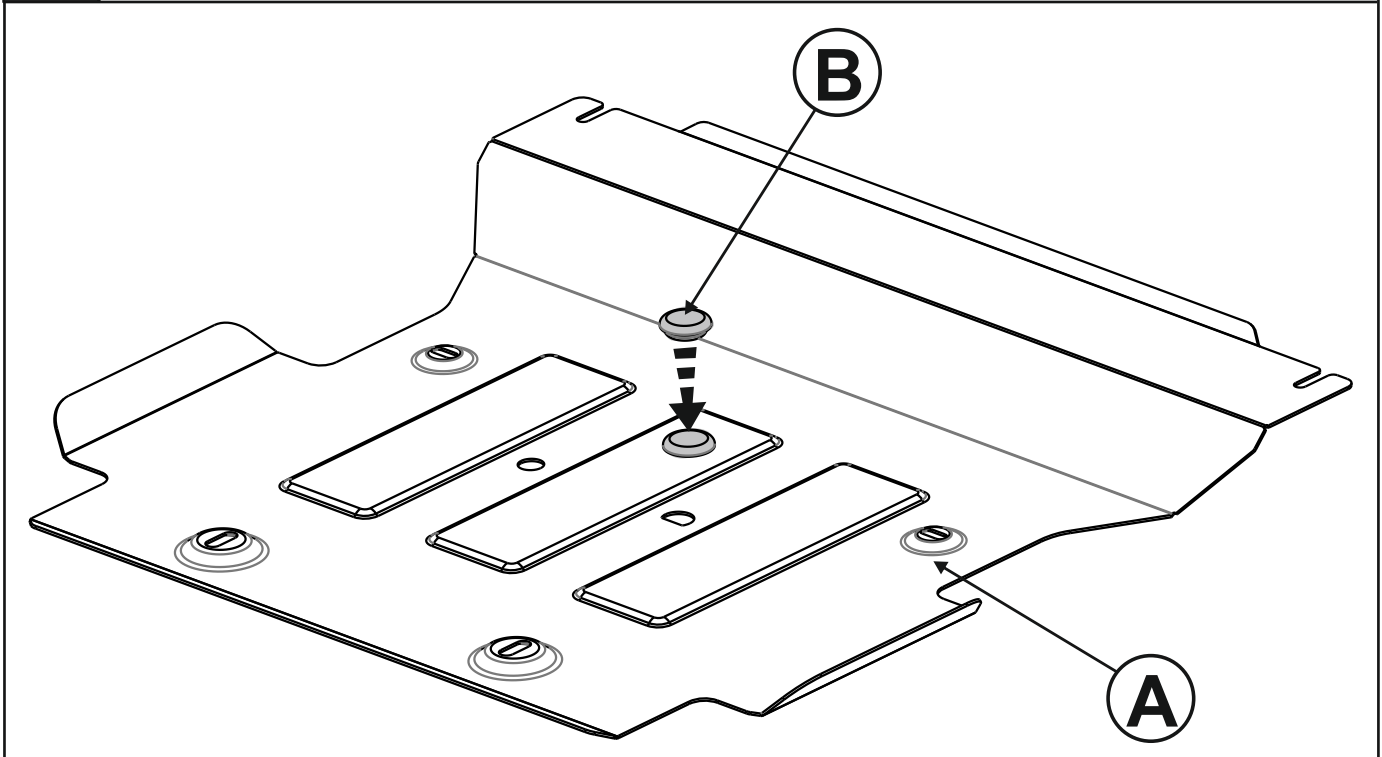


14/05/25

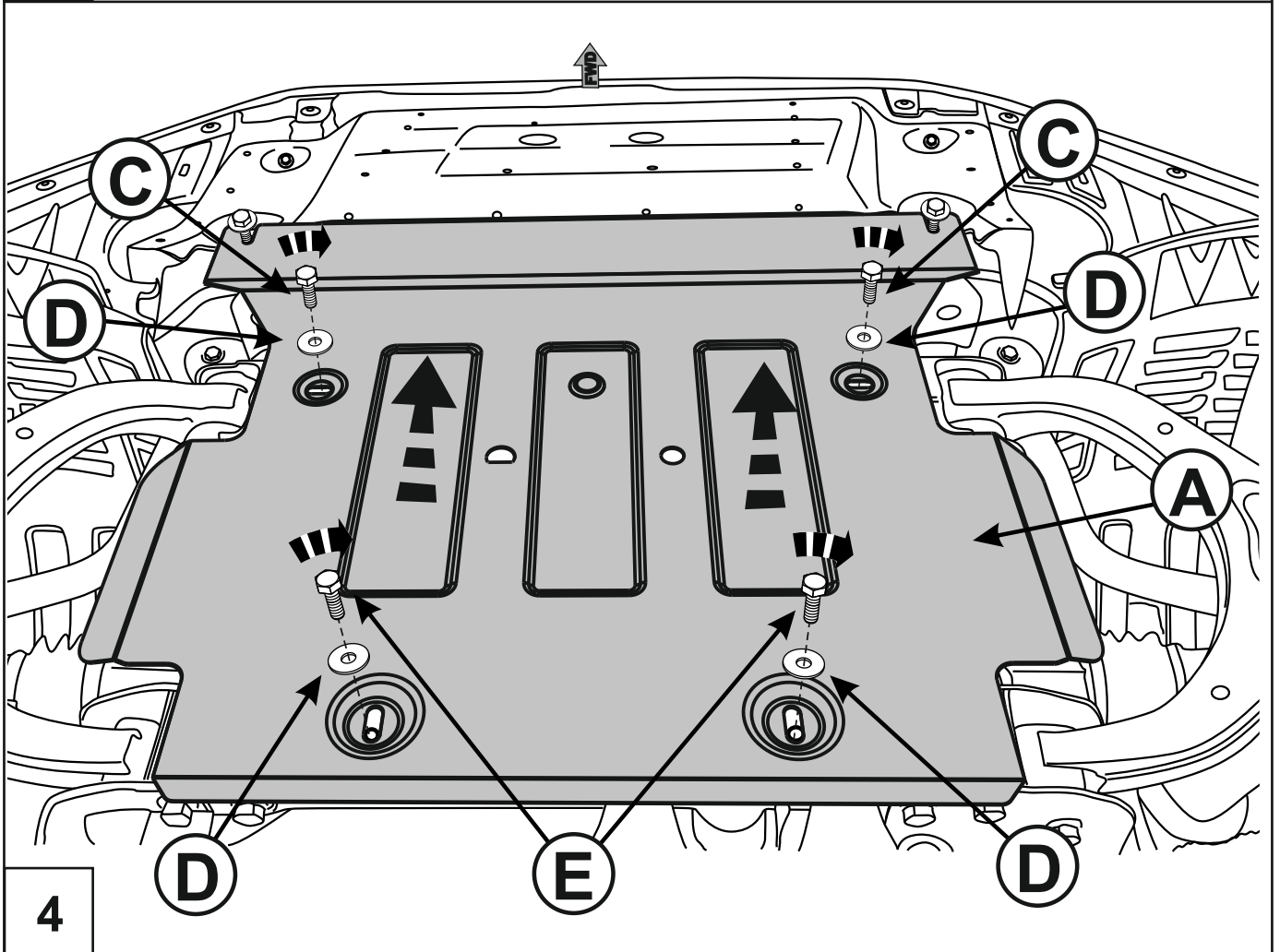
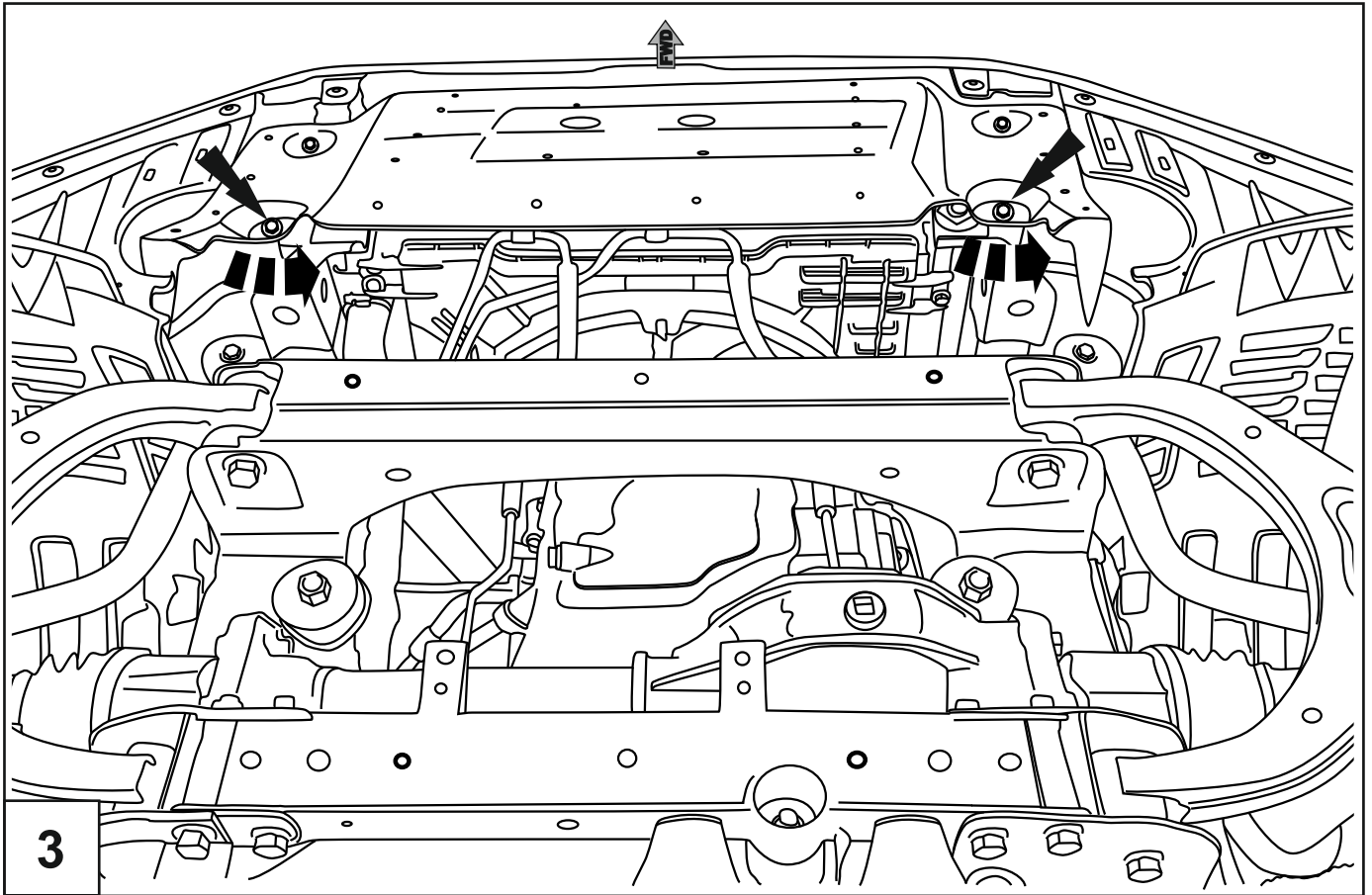
3/7

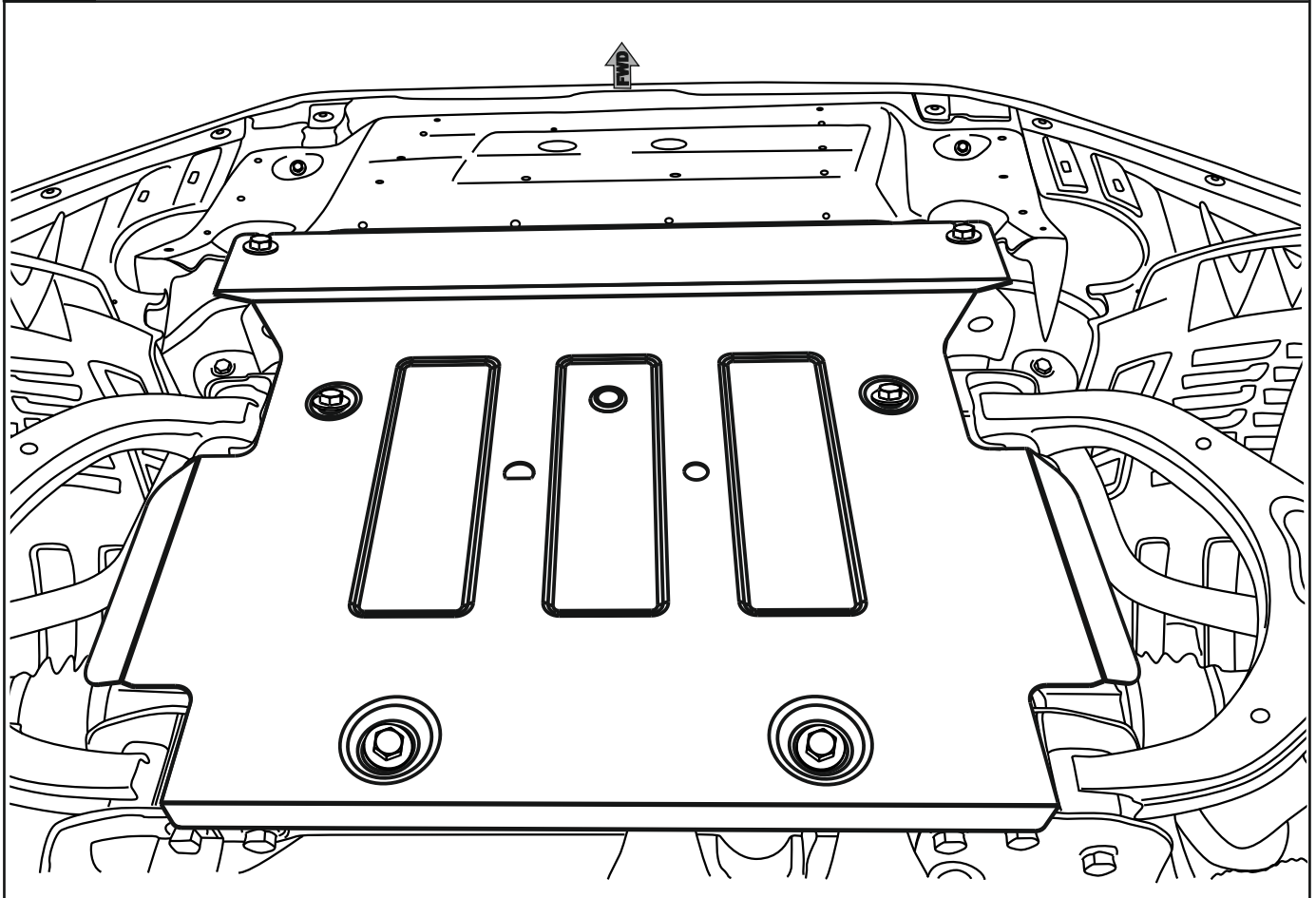
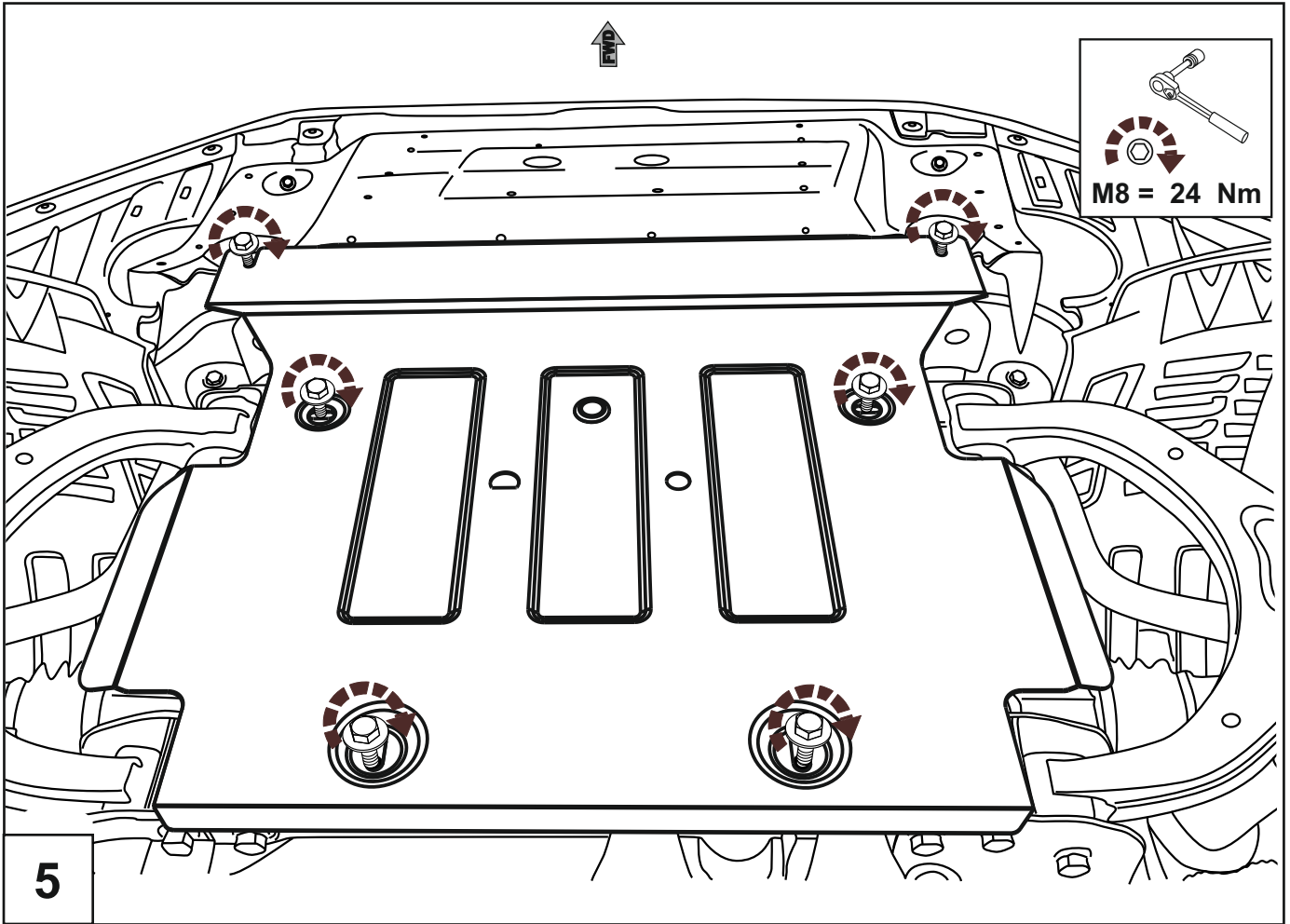


1 **GB** Before starting the installation of the skid plate, it is necessary to install the car on a lift



2





S09AP038KRX
A09AP038KRX



14/05/25

6/7

INSTALLATION:

Engine bay and transmission elements skid plate has been designed particularly for a certain vehicle. It should be mounted according to the producer's installation instruction by a dedicated dealer or on certified service stations. The skid plate is fixed to regular apertures located on vehicle's body load-bearing elements. In case of correct installation the skid plate should not interfere with any vehicle's units and components.

OPERATING CONDITIONS:

Engine bay and transmission elements skid plate has been designed to operate in conditions specified by vehicle's producer. Cases of crush or driving into obstacles at a speed should be excluded during exploitation. In case of head-on crush it is necessary to assure in absence of damages of vehicle's components and units and availability of roadworthiness on certified service stations.

WARRANTY:

Warranty period - 24 months.

WARRANTY TERMS:

The skid plate should be installed on a vehicle with undamaged body and load-bearing elements (vehicle, which has never been involved in road traffic accident);

There are no mechanical damages of the skid plate resulting from head-on crush. All requirements to skid plate installation should be satisfied;

There are no mechanical damages of powder coating.

Producer does not bear liability for damages caused to the vehicle, health and life of people in case of installation and exploitation terms violation. Producer has a right to introduce changes into the skid plate construction.

ENVIRONMENTAL PROTECTION

Dispose of packaging properly. It is recommended to take it for recycling. Don't forget about environmental protection.

